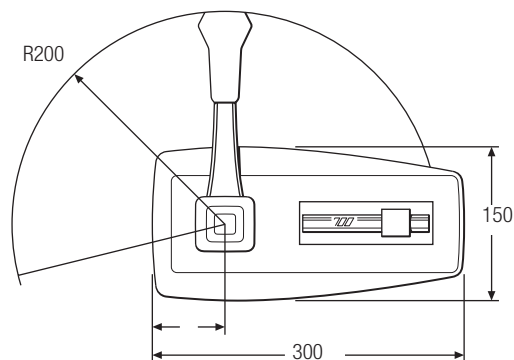


AT A GLANCE

FEATURES

- Surface mounted dual action single lever control
- For power boats with outboard motors
- Available with power trim (700 SOT), neutral interlock (700 SOL) or Power trim and neutral interlock (700 SOLT)
- Optional neutral safety switch
- Standard control suits 33C type cables



POWER BOAT SURFACE/SIDE MOUNT CONTROL

700 SO, SOT, SOL, SOLT CONTROLS

TECHNICAL DATA

Single engine surface mount control for powerboats. More than 1 million sold worldwide. Dual action design available with trim and tilt and/or neutral interlock. Suits 33C type cables.

ORDER INFORMATION

Type of control	surface/side mounted complete controls		
	Features	B - mechanism Double action order No.	A - mechanism Double action order No.*
700 SO	Standard	172101	172100
700 SOT	Standard with power trim	172131	
700 SOL	Standard with neutral interlock	172118	
700 SOLT	Standard with power trim and neutral interlock	172119	
neutral safety switch for all of the above		178000	



* Needed on some smaller outboard engines that require extra throttle when engaging gear