

AT A GLANCE

FEATURES

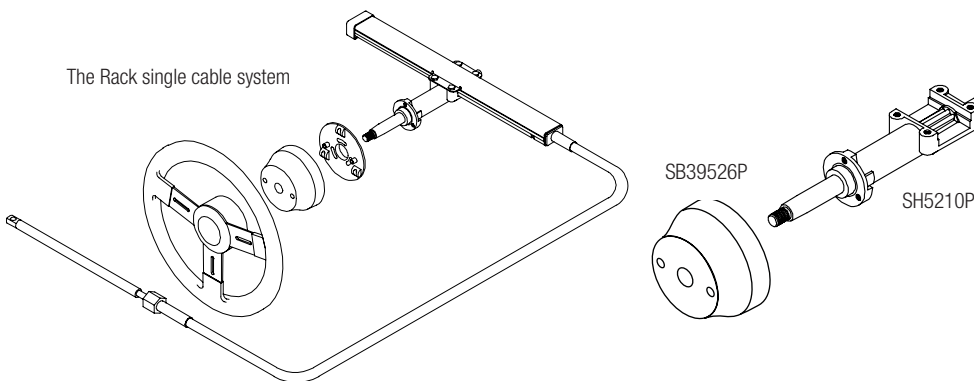
- Comfortable 4 turns from lock-to-lock
- Drop in replacement for Morse command 200 Rack helm
- Standard 3/4" tapered steering shaft
- Uses SSC 134XX steering cables
- Complete systems and individual cables available in 1ft increments ie: SS14112 or SSC13412 (12ft)
- Tilt helm available
- NFB Rack version also available



RACK STEERING SYSTEM

TECHNICAL DATA

This unique back mount Rack system allows fast and easy installation and delivers a precise and comfortable steering "feel". Suitable for use on outboard and stern drive boats.



ORDER INFORMATION	PART NO
Complete system in a box	SS141XX
Rack helm	SH5210P
Bezel 90°	SB39526P
Steering cable	SSC134XX
OPTIONS	
Rack tilt helm	SH91610P
Tilt mechanism	SH91500P
Cable guard (fits most tilt tubes)	SA39329P
Dual cable systems also available (details available on request)	



Tilt option available