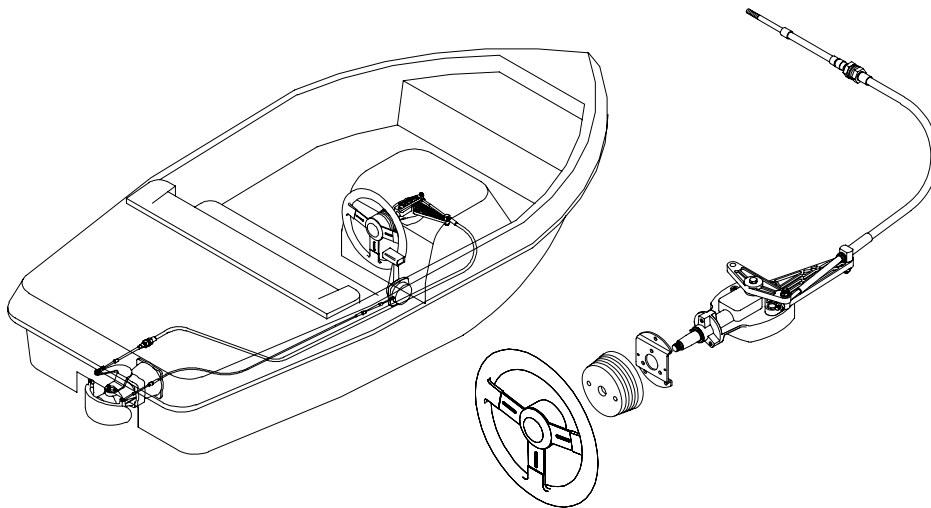


AT A GLANCE

FEATURES

- Ultra compact helm with stylish 4.4" bezel
- 125° or 270° turning arc options
- 90° or 180° cable entry
- Standard 3/4" tapered steering shaft
- Uses SSC219XX steering cable available in 1ft increments
- Tilt helm available

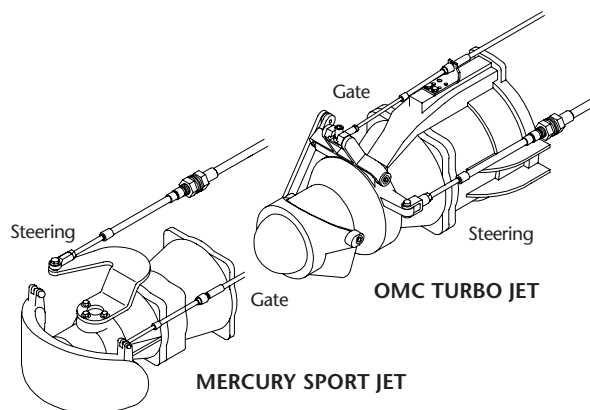


JET BOAT STEERING SYSTEM

TECHNICAL DATA

Designed exclusively for Jet boats featuring a choice of two steering arc angles 135° or 270° lock to lock.

Teleflex Jet boat steering is recommended in all Jet boat applications powered by Mercury Sport Jet and OMC turbo Jet up to 175 HP.



ORDER INFORMATION	PART NO
135° Jet boat helm	SH5087P
270° Jet boat helm	SH5088P
Bezel 90°	SB39452P
Steering cable	SSC219XX
Nozzle connection kit (Mercury)	SA27591P
Nozzle connection kit (OMC)	SA27590P
OPTIONS	
135° Jet boat tilt helm (includes tilt mechanism)	SH91678P
270° Jet boat tilt helm (includes tilt mechanism)	SH91679P

Tilt option available

